

SUFFIX Characters placed after basic designation

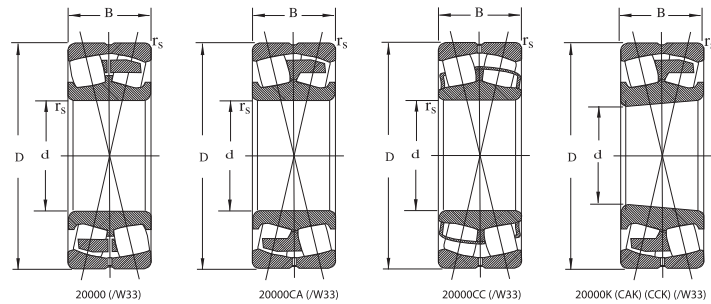
Znaki umieszczone za oznaczeniem podstawowym

CA	no middle flange on inner ring, machined brass cage guides on rolling elements ● pierścień wewnętrzny bez obrzeża środkowego, kosz mosiężny prowadzony na elementach toczych
CC	inner ring without flanges, pressed steel cage ● pierścień wewnętrzny bez obrzeży, kosz stalowy tłoczony
MB	masive brass cage guides on the inner ring ● kosz masywny mosiężny prowadzony na pierścieniu wewnętrznym
K	tapered bore (1:12 on diameter) ● otwór stożkowy (zbieżność 1:12)
K30	tapered bore (1:30 on diameter) ● otwór stożkowy (zbieżność 1:30)
W33	lubrication groove and three holes in outer ring ● łożysko z kanałkiem i trzema otworami smarowymi na pierścieniu zewnętrznym
W20	three lubrication holes in outer ring ● trzy otwory smarowe na pierścieniu zewnętrznym
C3	radial clearance greater than normal ● luz promieniowy większy od luzu normalnego -C0
C4	radial clearance greater than C3 ● luz promieniowy większy od luzu C3

DIMENSIONS				BASIC LOAD RATING		LIMITING SPEEDS		BASIC DESIGNATIONS		MASS
WYMIARY GŁÓWNE				NOŚNOŚĆ		OBROTY GRANICZNE		OZNACZENIE PODSTAWOWE		MASA
d	D	B	r _{1,2}	dynamic	static	grease	oil	cylindrical bore	tapered bore	~
			min	C	C ₀	w smarze	w oleju	z otworem walcowym	z otworem stożkowym	
mm				kN		r/min				kg
20	52	15.0	1.1	30.80	31.20	6 000	7 500	21304CA		0.170
	25	52	18.0	1.0	43.00	46.00	8 000	10 000	22205CC	22205CCK
30		52	18.0	1.0	43.00	46.00	8 000	10 000	22205CA	22205CAK
	52	18.0	1.0	41.00	43.70	8 000	10 000	22205CTNI		0.180
	62	17.0	1.0	41.50	44.20	5 300	6 700	21305CA		0.280
	62	20.0	1.0	34.50	39.30	5 300	6 700	22206MB	22206MBK	0.290
35	62	20.0	1.0	57.00	60.00	6 300	8 000	22206CC	22206CCK	0.300
	62	20.0	1.0	57.00	60.00	6 700	8 500	22206CA	22206CAK	0.330
	72	19.0	1.1	55.80	62.00	4 500	6 000	21306CA	21306CAK	0.410
	72	23.0	1.1	46.60	61.30	4 800	6 000	22207MB	22207MBK	0.430
40	72	23.0	1.1	78.00	86.00	5 300	6 700	22207CC	22207CCK	0.470
	72	23.0	1.1	78.00	86.00	5 600	7 000	22207CA	22207CAK	0.440
	80	21.0	1.5	63.50	73.20	5 600	7 000	21307CA	21307CAK	0.540
	80	23.0	1.1	51.30	70.60	4 500	5 600	22208MB	22208MBK	0.560
45	80	23.0	1.1	88.00	94.00	5 000	6 000	22208CC	22208CCK	0.530
	80	23.0	1.1	88.00	94.00	5 000	6 300	22208CA	22208CAK	0.520
	90	23.0	1.5	86.20	90.40	3 600	4 500	21308CA	21308CAK	0.740
	90	33.0	1.5	75.70	93.20	4 000	5 000	22308MB	22308MBK	1.040
	90	33.0	1.5	125.00	140.00	4 300	5 300	22308CC	22308CCK	1.040
	90	33.0	1.5	125.00	140.00	4 500	6 000	22308CA	22308CAK	1.040
50	85	23.0	1.1	54.00	75.00	4 000	5 000	22209MB	22209MBK	0.590
	85	23.0	1.1	90.00	105.00	4 500	5 600	22209CC	22209CCK	0.590
	85	23.0	1.1	90.00	105.00	4 500	6 000	22209CA	22209CAK	0.580
	100	25.0	1.1	102.60	110.40	3 200	4 000	21309CA	21309CAK	1.020
	100	36.0	1.5	111.00	144.00	3 600	4 500	22309MB	22309MBK	1.390
	100	36.0	1.5	150.00	175.00	3 800	4 800	22309CC	22309CCK	1.380
55	100	36.0	1.1	150.00	175.00	4 000	5 300	22309CA	22309CAK	1.380
	90	23.0	1.1	54.00	75.00	3 800	4 800	22210MB	22210MBK	0.690
	90	23.0	1.1	93.00	110.00	4 000	5 000	22210CC	22210CCK	0.630
	90	23.0	1.1	93.00	110.00	4 300	5 300	22210CA	22210CAK	0.630
	110	27.0	2.0	120.00	140.00	2 800	3 800	21310CA	21310CAK	1.300
	110	40.0	2.0	132.00	175.00	3 400	4 300	22310MB	22310MBK	1.830
60	110	40.0	2.0	185.00	216.00	3 400	4 300	22310CC	22310CCK	1.850
	110	40.0	2.0	185.00	216.00	3 800	4 800	22310CA	22310CAK	1.790
	100	25.0	1.5	62.00	90.00	3 400	4 300	22211MB	22211MBK	0.860
	100	25.0	1.5	115.00	140.00	3 600	4 500	22211CC	22211CCK	0.860
	100	25.0	1.5	115.00	140.00	3 800	5 000	22211CA	22211CAK	0.850
	120	29.0	2.0	150.00	175.00	2 600	3 400	21311CA	21311CAK	1.650
65	120	43.0	2.0	160.00	204.00	3 000	3 800	22311MB	22311MBK	2.300
	120	43.0	2.0	220.00	258.00	3 000	3 800	22311CC	22311CCK	2.350
	120	43.0	2.0	220.00	258.00	3 400	4 300	22311CA	22311CAK	2.310

F&T Spherical Roller Bearings

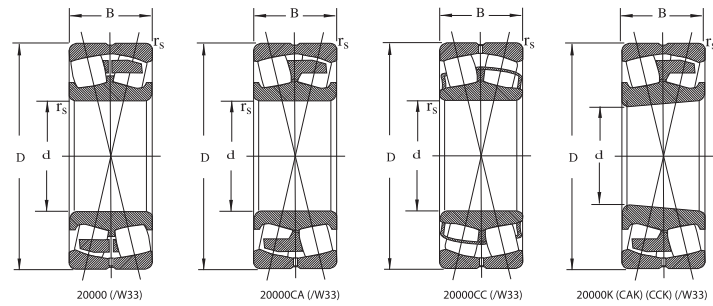
Łożyska Barytkowe



DIMENSIONS WYMIARY GŁÓWNE				BASIC LOAD RATING NOŚNOŚĆ		LIMITING SPEEDS OBROTÓW GRANICZNE		BASIC DESIGNATIONS OZNACZENIE PODSTAWOWE		MASS MASA	DIMENSIONS WYMIARY GŁÓWNE				BASIC LOAD RATING NOŚNOŚĆ		LIMITING SPEEDS OBROTÓW GRANICZNE		BASIC DESIGNATIONS OZNACZENIE PODSTAWOWE		MASS MASA	
d	D	B	r_{1,2} min	dynamic dynamiczna C	static statyczna C₀	grease w smarze	oil w oleju	cylindrical bore z otworem walcowym	tapered bore z otworem stożkowym	~	d	D	B	r_{1,2} min	dynamic dynamiczna C	static statyczna C₀	grease w smarze	oil w oleju	cylindrical bore z otworem walcowym	tapered bore z otworem stożkowym	~	
mm				kN		r/min				kg	mm				kN		r/min				kg	
60	110	28.0	1.5	84.00	126.00	3 200	4 000	22212MB	22212MBK	1.200	90	160	40.0	2.0	173.00	280.00	1 900	2 600	22218MB	22218MBK	4.000	
	110	28.0	1.5	135.00	163.00	3 200	4 000	22212CC	22212CCK	1.120		160	40.0	2.0	280.00	355.00	1 900	2 600	22218CC	22218CCK	3.280	
	110	28.0	1.5	135.00	163.00	3 600	4 500	22212CA	22212CAK	1.200		160	40.0	2.0	280.00	355.00	2 400	3 000	22218CA	22218CAK	3.670	
	130	31.0	2.1	162.00	195.00	2 400	3 200	21312CA	21312CAK	2.080		160	52.4	2.0	370.00	500.00	1 800	2 400	23218CC		4.400	
	130	46.0	2.1	173.00	232.00	2 800	3 600	22312MB	22312MBK	2.880		160	52.4	2.0	370.00	500.00	1 900	2 600	23218CA	23218CAK	4.550	
	130	46.0	2.1	296.00	309.00	2 800	3 600	22312CC	22312CCK	2.950		190	43.0	3.0	320.00	420.00	1 600	2 200	21318CA	21318CAK	6.170	
65	130	46.0	2.1	296.00	309.00	3 200	4 000	22312CA	22312CAK	2.920	190	64.0	3.0	376.00	558.00	1 700	2 200	22318MB	22318MBK	8.880		
	120	31.0	1.5	91.00	132.00	2 800	3 600	22213MB	22213MBK	1.550	190	64.0	3.0	500.00	641.00	2 200	2 600	22318CA	22318CAK	8.630		
	120	31.0	1.5	165.00	203.00	2 800	3 600	22213CC	22213CCK	1.520	95	170	43.0	2.1	218.00	332.00	1 800	2 400	22219MB	22219MBK	4.550	
	120	31.0	1.5	165.00	203.00	3 200	4 000	22213CA	22213CAK	1.510		170	43.0	2.1	305.00	393.00	2 200	2 800	22219CA	22219CAK	4.570	
	140	33.0	2.1	201.00	237.00	2 200	3 000	21313CA	21313CAK	2.570		200	45.0	3.0	355.00	485.00	1 700	2 200	21319CA	21319CAK	7.150	
	140	48.0	2.1	194.00	260.00	2 400	3 200	22313MB	22313MBK	3.490		200	67.0	3.0	397.00	587.00	1 600	2 000	22319MB	22319MBK	10.380	
140	48.0	2.1	318.00	362.00	2 400	3 200	22313CC	22313CCK	3.550	200		67.0	3.0	556.00	709.00	2 000	2 600	22319CA	22319CAK	9.970		
140	48.0	2.1	318.00	362.00	3 000	3 800	22313CA	22313CAK	3.510	100		165	52.0	2.1	350.00	550.00	1 700	2 200	23120CA	23120CAK	4.430	
125	31.0	1.5	98.00	146.00	2 600	3 400	22214MB	22214MBK	1.660		180	46.0	2.1	229.00	369.00	1 700	2 200	22220MB	22220MBK	5.120		
125	31.0	1.5	175.00	221.00	3 000	3 800	22214CC	22214CCK	1.600		180	46.0	2.1	350.00	456.00	2 200	2 600	22220CA	22220CAK	5.010		
125	31.0	1.5	175.00	221.00	3 000	3 800	22214CA	22214CAK	1.630		180	60.3	2.1	450.00	650.00	1 600	2 200	23220CA	23220CAK	6.520		
150	35.0	2.1	212.00	268.00	2 000	2 800	21314CA	21314CAK	3.110		215	47.0	3.0	385.00	530.00	1 600	2 000	21320CA	21320CAK	8.810		
150	51.0	2.1	237.00	325.00	2 200	3 000	22314MB	22314MBK	4.210		215	73.0	3.0	464.00	688.00	1 400	1 800	22320MB	22320MBK	13.000		
70	150	51.0	2.1	331.00	388.00	2 200	3 000	22314CC	22314CCK	4.350	215	73.0	3.0	640.00	840.00	1 900	2 400	22320CA	22320CAK	12.800		
	150	51.0	2.1	331.00	388.00	2 800	3 400	22314CA	22314CAK	4.320	110	170	45.0	2.1	288.00	456.00	2 200	3 000	23022MB	23022MBK	3.950	
	130	31.0	1.5	98.00	146.00	2 400	4 200	22215MB	22215MBK	1.730		170	45.0	2.0	310.00	500.00	2 200	3 000	23022CA	23022CAK	3.800	
	130	31.0	1.5	180.00	232.00	2 400	3 200	22215CC	22215CCK	1.820		180	56.0	2.0	420.00	650.00	1 600	2 000	23122CA	23122CAK	5.580	
	130	31.0	1.5	180.00	232.00	3 000	3 800	22215CA	22215CAK	1.690		180	69.0	2.0	500.00	840.00	1 600	2 000	24122CA	24122CAK	6.630	
	160	37.0	2.1	238.00	302.00	1 900	2 600	21315CA	21315CAK	3.760		200	53.0	2.1	297.00	479.00	1 500	1 900	22222MB	22222MBK	7.000	
160	55.0	2.1	270.00	400.00	2 000	2 800	22315MB	22315MBK	5.230	200		53.0	2.1	445.00	585.00	1 900	2 400	22222CA	22222CAK	7.320		
75	160	55.0	2.1	365.00	451.00	2 000	2 800	22315CC	22315CCK	5.280	200	69.8	2.1	580.00	830.00	1 500	1 900	23222CA	23222CAK	9.460		
	160	55.0	2.1	365.00	451.00	2 600	3 200	22315CA	22315CAK	5.890	240	50.0	3.0	460.00	635.00	1 400	1 800	21322CA	21322CAK	11.800		
	140	33.0	2.0	119.00	185.00	2 200	3 000	22216MB	22216MBK	2.280	240	80.0	3.0	561.00	857.00	1 200	1 600	22322MB	22322MBK	17.850		
	140	33.0	2.0	200.00	265.00	2 200	3 000	22216CC	22216CCK	2.130	240	80.0	3.0	780.00	1 000.00	1 700	2 200	22322CA	22322CAK	17.500		
	140	33.0	2.0	200.00	265.00	2 800	3 400	22216CA	22216CAK	2.260	120	180	46.0	2.0	304.00	501.00	2 000	2 800	23024MB	23024MBK	4.300	
	170	39.0	2.1	260.00	332.00	1 800	2 400	21316CA	21316CAK	4.470		180	46.0	2.0	330.00	550.00	2 000	2 800	23024CA	23024CAK	4.170	
170	58.0	2.1	297.00	417.00	1 900	2 600	22316MB	22316MBK	6.300	180		60.0	2.0	430.00	750.00	1 500	2 000	24024CA	24024CAK	5.050		
170	58.0	2.1	413.00	513.00	2 400	3 000	22316CA	22316CAK	6.320	200		62.0	2.0	500.00	755.00	1 400	1 800	23124CA	23124CAK	7.850		
80	150	36.0	2.0	149.00	235.00	2 000	2 800	22217MB	22217MBK	2.830		200	80.0	2.0	650.00	1 100.00	1 400	1 800	24124CA	24124CAK	9.650	
	150	36.0	2.0	250.00	315.00	2 000	2 800	22217CC	22217CCK	2.670		215	58.0	2.1	352.00	582.00	1 300	1 700	22224MB	22224MBK	9.070	
	150	36.0	2.0	250.00	315.00	2 600	3 200	22217CA	22217CAK	2.870	215	58.0	2.1	535.00	700.00	1 700	2 200	22224CA	22224CAK	9.140		
	180	41.0	3.0	298.00	385.00	1 700	2 200	21317CA	21317CAK	5.230	215	76.0	2.1	610.00	955.00	1 300	1 700	23224CA	23224CAK	11.700		
	180	60.0	3.0	317.00	453.00	1 800	2 400	22317MB	22317MBK	7.360	260	86.0	3.0	664.00	1 022.00	1 100	1 500	22324MB	22324MBK	22.380		
	180	60.0	3.0	447.00	556.00	2 200	2 800	22317CA	22317CAK	7.270	260	86.0	3.0	890.00	1 154.00	1 500	1 900	22324CA	22324CAK	22.200		

FLT Spherical Roller Bearings

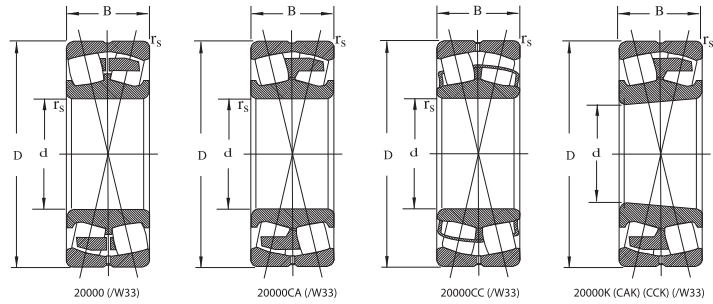
Łożyska Baryłkowe



DIMENSIONS WYMIARY GŁÓWNE				BASIC LOAD RATING NOŚNOŚĆ		LIMITING SPEEDS OBROTY GRANICZNE		BASIC DESIGNATIONS OZNACZENIE PODSTAWOWE		MASS MASA	DIMENSIONS WYMIARY GŁÓWNE				BASIC LOAD RATING NOŚNOŚĆ		LIMITING SPEEDS OBROTY GRANICZNE		BASIC DESIGNATIONS OZNACZENIE PODSTAWOWE		MASS MASA
d	D	B	r _{1,2}	dynamic dynamiczna C	static statyczna C ₀	grease w smarze	oil w oleju	cylindrical bore z otworem walcowym	tapered bore z otworem stożkowym	~	d	D	B	r _{1,2}	dynamic dynamiczna C	static statyczna C ₀	grease w smarze	oil w oleju	cylindrical bore z otworem walcowym	tapered bore z otworem stożkowym	~
mm				kN		r/min				kg	mm				kN		r/min				kg
130	200	52.0	2.0	386.00	630.00	1 900	2 600	23026MB	23026MBK	6.120	170	260	67.0	2.1	458.00	1 040.00	800	1 000	23034MB	23034MBK	13.000
	200	52.0	2.0	420.00	710.00	1 900	2 600	23026CA	23026CAK	5.990		260	67.0	2.1	715.00	1 100.00	1 600	2 000	23034CA	23034CAK	12.900
	200	69.0	2.0	472.00	852.00	1 400	1 800	24026CA	24026CAK	7.550		260	90.0	2.1	820.00	1 520.00	1 000	1 300	24034CA	24034CAK	16.700
	210	64.0	2.0	560.00	840.00	1 300	1 700	23126CA	23126CAK	8.490		280	88.0	2.1	830.00	1 610.00	850	1 100	23134MB		22.420
	210	64.0	2.0	496.00	826.00	1 300	1 700	23126CC		8.490		280	88.0	2.1	900.00	1 550.00	1 000	1 300	23134CA	23134CAK	21.100
	210	80.0	2.0	585.00	1 030.00	1 300	1 700	24126CA	24126CAK	10.300		280	109.0	2.1	1070.00	1 930.00	1 000	1 300	24134CA	24134CAK	25.500
	230	64.0	3.0	420.00	729.00	1 200	1 600	22226MB	22226MBK	11.380		310	86.0	4.0	740.00	1 330.00	850	1 100	22234MB	22234MBK	29.000
	230	64.0	3.0	600.00	860.00	1 600	2 000	22226CA	22226CAK	11.200		310	86.0	4.0	1100.00	1 520.00	1 100	1 400	22234CA	22234CAK	28.100
	230	80.0	3.0	678.00	1 080.00	1 200	1 600	23226CA	23226CAK	13.800		310	110.0	4.0	1350.00	2 100.00	900	1 200	23234CA	23234CAK	35.700
	280	93.0	4.0	744.00	1 170.00	950	1 300	22326MB	22326MBK	28.170		360	120.0	4.0	1180.00	2 120.00	750	950	22334MB	22334MBK	60.000
280	93.0	4.0	1 020.00	1 340.00	1 400	1 800	22326CA	22326CAK	27.500	360	120.0	4.0	1550.00	2 140.00	950	1 300	22334CA	22334CAK	59.300		
140	210	53.0	2.0	294.00	654.00	950	1 300	23028MB	23028MBK	6.300	180	280	74.0	2.1	556.00	1 260.00	750	950	23036MB	23036MBK	17.600
	210	53.0	2.0	460.00	765.00	1 800	2 400	23028CA	23028CAK	6.400		280	74.0	2.1	850.00	1 410.00	1 400	1 800	23036CA	23036CAK	17.000
	210	53.0	2.0	460.00	765.00	1 800	2 400	23028CC	23028CCK	6.400		280	100.0	2.1	950.00	1 200.00	965	1 750	24036MB		22.700
	210	69.0	2.0	488.00	895.00	1 300	1 700	24028CA	24028CAK	8.010		280	100.0	2.1	980.00	1 800.00	950	1 200	24036CA	24036CAK	22.100
	225	68.0	2.1	610.00	970.00	1 200	1 600	23128CA	23128CAK	10.200		300	96.0	3.0	1 100.00	1 900.00	900	1 200	23136CA	23136CAK	26.900
	225	85.0	2.1	750.00	1 320.00	1 200	1 600	24128CA	24128CAK	12.500		300	118.0	3.0	1 250.00	2 210.00	900	1 200	24136CA	24136CAK	32.000
	250	68.0	3.0	492.00	829.00	1 000	1 400	22228MB	22228MBK	14.200		320	86.0	4.0	757.00	1 410.00	800	1 000	22236MB	22236MBK	30.000
	250	68.0	3.0	710.00	1 000.00	1 400	1 700	22228CA	22228CAK	14.480		320	86.0	4.0	1 140.00	1 600.00	1 100	1 300	22236CA	22236CAK	29.400
	250	88.0	3.0	900.00	1 360.00	1 100	1 500	23228CA	23228CAK	18.100		320	112.0	4.0	1 280.00	2 170.00	850	1 100	23236CA	23236CAK	37.900
	300	102.0	4.0	925.00	1 340.00	900	1 200	22328MB	22328MBK	34.840		380	126.0	4.0	1 290.00	2 330.00	700	900	22336MB	22336MBK	70.000
300	102.0	4.0	1 200.00	1 620.00	1 300	1 700	22328CA	22328CAK	34.600	380	126.0	4.0	1 730.00	2 460.00	900	1 200	22336CA	22336CAK	70.400		
150	225	56.0	2.1	338.00	790.00	900	1 200	23030MB	23030MBK	8.190	190	290	75.0	2.1	570.00	1 260.00	700	900	23038MB	23038MBK	20.000
	225	56.0	2.1	510.00	855.00	1 700	2 200	23030CA	23030CAK	8.120		290	75.0	2.1	905.00	1 515.00	1 300	1 700	23038CA	23038CAK	18.000
	225	75.0	2.1	650.00	1 200.00	1 200	1 500	24030CA	24030CAK	10.100		290	100.0	2.1	975.00	1 910.00	900	1 200	24038MB	24038MBK	23.000
	250	80.0	2.1	830.00	1 300.00	1 100	1 400	23130CA	23130CAK	15.700		290	100.0	2.1	1000.00	1 900.00	900	1 200	24038CA	24038CAK	23.000
	250	100.0	2.1	890.00	1 600.00	1 100	1 400	24130CA	24130CAK	19.000		320	104.0	3.0	1200.00	2 120.00	850	1 100	23138CA	23138CAK	33.600
	270	73.0	3.0	523.00	900.00	950	1 300	22230MB	22230MBK	18.420		320	128.0	3.0	1410.00	2 590.00	850	1 100	24138CA	24138CAK	40.200
	270	73.0	3.0	820.00	1 200.00	1 300	1 600	22230CA	22230CAK	18.000		340	92.0	4.0	842.00	1 555.00	750	950	22238MB	22238MBK	37.400
	270	96.0	3.0	948.00	1 540.00	1 100	1 400	23230CA	23230CAK	23.200		340	92.0	4.0	1200.00	1 800.00	800	1 100	22238CA	22238CAK	36.200
	320	108.0	4.0	1 050.00	1 790.00	850	1 100	22330MB	22330MBK	42.340		340	120.0	4.0	1 550.00	2 500.00	800	1 100	23238CA	23238CAK	46.100
	320	108.0	4.0	1 370.00	1 850.00	1 200	1 500	22330CA	22330CAK	42.000		400	132.0	5.0	1 430.00	2 600.00	670	850	22338MB	22338MBK	81.000
160	240	60.0	2.1	379.00	850.00	850	1 100	23032MB	23032MBK	9.600	200	340	92.0	4.0	1 860.00	2 650.00	850	1 100	22338CA	22338CAK	78.800
	240	60.0	2.1	590.00	980.00	1 700	2 200	23032CA	23032CAK	9.480		310	82.0	2.1	597.00	1 340.00	670	850	23040MB	23040MBK	24.000
	240	80.0	2.1	780.00	1 420.00	1 100	1 400	24032CA	24032CAK	12.200		310	82.0	2.1	1 050.00	1 720.00	670	850	23040CA	23040CAK	23.000
	270	86.0	2.1	950.00	1 510.00	1 000	1 300	23132CA	23132CAK	19.800		310	109.0	2.1	1 290.00	2 120.00	850	1 100	24040MB		31.600
	270	109.0	2.1	1 080.00	1 886.00	900	1 200	24132MB		25.080		310	109.0	2.1	1 180.00	2 260.00	850	1 100	24040CA	24040CAK	29.300
	270	109.0	2.1	1 040.00	1 880.00	1 000	1 300	24132CA	24132CAK	24.400		340	112.0	3.0	1 280.00	2 100.00	800	1 000	23140CA	23140CAK	41.600
	290	80.0	3.0	660.00	1 170.00	900	1 200	22232MB	22232MBK	22.200		340	140.0	3.0	1 480.00	2 550.00	800	1 000	24140MB		49.550
	290	80.0	3.0	950.00	1 330.00	1 200	1 500	22232CA	22232CAK	22.950		340	140.0	3.0	1 680.00	3 000.00	800	1 000	24140CA	24140CAK	49.900
	290	104.0	3.0	1 200.00	1 880.00	1 100	1 400	23232CA	23232CAK	29.400		360	98.0	4.0	947.00	1 790.00	700	900	22240MB	22240MBK	47.700
	340	114.0	4.0	1 070.00	1 820.00	800	1 000	22332MB	22332MBK	51.000		360	98.0	4.0	1 310.00	2 010.00	750	1 000	22240CA	22240CAK	43.900
340	114.0	4.0	1 420.00	1 930.00	950	1 300	22332CA	22332CAK	51.900	360	128.0	4.0	1 650.00	2 700.00	750	1 000	23240CA	23240CAK	55.400		
											420	138.0	5.0	1 530.00	2 880.00	630	800	22340MB	22340MBK	94.000	
											420	138.0	5.0	2 050.00	3 000.00	850	110	22340CA	22340CAK	94.000	
											280	60.0	5.0	550.00	1 100.00	1 000	1 400	23940CA	23940CAK	11.900	

FLT Spherical Roller Bearings

Łożyska Baryłkowe



DIMENSIONS WYMIARY GŁÓWNE				BASIC LOAD RATING NOŚNOŚĆ		LIMITING SPEEDS OBROTYS GRANICZNE		BASIC DESIGNATIONS OZNACZENIE PODSTAWOWE		MASS MASA	DIMENSIONS WYMIARY GŁÓWNE				BASIC LOAD RATING NOŚNOŚĆ		LIMITING SPEEDS OBROTYS GRANICZNE		BASIC DESIGNATIONS OZNACZENIE PODSTAWOWE		MASS MASA		
d	D	B	r _{1,2} min	dynamic dynamiczna C	static statyczna C ₀	grease w smarze	oil w oleju	cylindrical bore z otworem walcowym	tapered bore z otworem stożkowym	~	d	D	B	r _{1,2} min	dynamic dynamiczna C	static statyczna C ₀	grease w smarze	oil w oleju	cylindrical bore z otworem walcowym	tapered bore z otworem stożkowym	~		
mm				kN		r/min				kg	mm				kN		r/min				kg		
220	340	90.0	3.0	783.00	1 860.00	600	750	23044MB	23044MBK	28.800	340	420	60.0	2.1	765.00	1 830.00	630	800			23868CAK	17.800	
	340	90.0	3.0	1 100.00	1 900.00	600	750	23044CA	23044CAK	29.200		460	90.0	3.0	1 200.00	2 700.00	900	1 200			23968MBK	45.600	
	340	118.0	3.0	1 350.00	2 580.00	750	1 000	24044CA	24044CAK	38.100		520	133.0	5.0	2 360.00	4 550.00	850	1 000			23068CA	105.000	
	370	120.0	4.0	1 570.00	2 820.00	700	950	23144CA	23144CAK	51.500		580	190.0	5.0	4 050.00	6 700.00	500	630			23168MB	216.000	
	370	150.0	4.0	1 500.00	2 400.00	730	1 300	24144MB		68.000		620	224.0	6.0	4 900.00	7 600.00	500	630			23268MB	305.000	
	370	150.0	4.0	1 880.00	3 400.00	730	1 300	24144CA	24144CAK	65.600		620	224.0	6.0	4 900.00	7 600.00	500	630			23268CA	290.000	
	400	108.0	4.0	1 200.00	2 280.00	630	800	22244MB	22244MBK	61.500		520	180.0	5.0	3 050.00	6 500.00	500	630			24068CA	143.000	
	400	108.0	4.0	1 600.00	2 410.00	630	800	22244CA	22244CAK	58.400		540	134.0	5.0	2 280.00	4 800.00	670	850			23072CA	126.000	
	400	144.0	4.0	2 070.00	3 620.00	670	900	23244CA	23244CAK	78.500		480	90.0	3.0	1 370.00	2 980.00	600	750			23972CAK	46.600	
	460	145.0	5.0	1 740.00	3 290.00	560	700	22344MB	22344MBK	120.000		540	180.0	5.0	3 250.00	6 800.00	450	560			24072CAK30	145.000	
240	360	92.0	3.0	820.00	2 120.00	530	670	23048MB	23048MBK	35.500	600	192.0	5.0	3 800.00	7 350.00	560	850			23172CA	23172CAK	230.000	
	360	118.0	3.0	1 400.00	2 850.00	700	950	24048CA	24048CAK	40.800	650	232.0	6.0	4 900.00	9 200.00	450	560			23272MB	349.000		
	400	128.0	4.0	1 790.00	3 220.00	670	850	23148CA	23148CAK	63.700	480	75.0	2.1	1 020.00	2 360.00	700	900			23876CAK	32.200		
	400	160.0	4.0	2 160.00	4 090.00	670	850	24148MB		76.900	560	135.0	5.0	2 550.00	5 300.00	630	800			23076MBK	113.000		
	440	120.0	4.0	1 950.00	3 000.00	700	900	22248CA	22248CAK	82.400	560	180.0	5.0	3 150.00	6 800.00	480	600			24076MBK30	153.000		
	500	155.0	5.0	2 680.00	4 010.00	670	850	22348CA	22348CAK	150.000	620	194.0	5.0	3 400.00	7 350.00	400	500			23176CAK	244.000		
	260	400	104.0	4.0	1 450.00	2 700.00	500	630	23052MB	23052MBK	51.500	540	106.0	4.0	1 830.00	4 150.00	710	900			23980CA	23980CAK	72.900
		400	140.0	4.0	1 790.00	3 740.00	630	850	24052CA	24052CAK	62.400	600	148.0	5.0	2 790.00	5 900.00	600	750			23080CA	154.000	
		440	144.0	4.0	2 550.00	3 900.00	600	800	23152MB	23152MBK	90.200	720	256.0	6.0	5 700.00	10 800.00	375	700			23280CA	23280CAK	469.000
		440	144.0	4.0	2 550.00	3 900.00	600	800	23152CA	23152CAK	88.200	620	150.0	5.0	2 970.00	6 400.00	700	900			23084MBK	149.000	
480		130.0	5.0	2 240.00	3 450.00	1 080	1 100	22252MB	22252MBK	110.000	600	118.0	5.0	2 450.00	4 900.00	670	850			23988CA	99.500		
480		174.0	5.0	2 900.00	4 800.00	630	800	23252CA	23252CAK	142.000	650	157.0	6.0	3 400.00	7 100.00	610	750			23088CA	23088CAK	190.000	
280	380	75.0	2.1	897.00	980.00	1 000	1 400		23956CAK	26.000	720	226.0	6.0	5 150.00	10 300.00	400	500			23188CA	23188CAK	370.000	
	420	106.0	4.0	1 110.00	2 760.00	450	560	23056MB	23056MBK	62.000	720	280.0	6.0	6 400.00	13 200.00	255	600			24188ECA	24188ECAK	453.000	
	420	106.0	4.0	1 550.00	2 950.00	560	750	23056CA	23056CAK	57.000	700	165.0	6.0	3 630.00	7 270.00	380	480			23096MB	216.000		
	560	146.0	5.0	2 350.00	4 400.00	560	750	23156CA	23156CAK	95.100	870	310.0	7.5	6 750.00	15 200.00	340	430			23296CA	23296CAK	835.000	
	500	176.0	5.0	2 980.00	5 200.00	600	750	23256CA	23256CAK	148.000	500	720	167.0	6.0	3 900.00	8 500.00	520	670			230/500CA	230/500CAK	233.000
	420	140.0	4.0	1 980.00	3 980.00	600	750	24056CA	24056CAK	68.000	830	264.0	7.5	7 100.00	14 300.00	280	360			231/500MBK	556.000		
	460	180.0	5.0	2 680.00	5 150.00	560	700	24156CA	24156CAK	113.000	560	750	140.0	5.0	3 050.00	7 350.00	340	430			239/560CA	239/560CAK	183.000
	500	130.0	5.0	2 320.00	3 700.00	1 010	1 100	22256CA	22256CAK	110.000	600	800	150.0	5.0	3 900.00	8 300.00	320	400			239/600CA	220.000	
	300	460	118.0	4.0	1 920.00	3 600.00	800	1 000	23060CA	23060CAK	71.500	630	920	212.0	7.0	6 700.00	12 500.00	260	340			230/630CA	485.000
		500	160.0	5.0	2 600.00	4 900.00	600	750	23160CA	23160CAK	130.000	630	920	212.0	7.5	6 300.00	13 700.00	385	500			230/630MB	230/630MBK
460		160.0	4.0	2 480.00	5 150.00	560	700	24060CA	24060CAK	97.600	710	1 030	315.0	10.0	9 370.00	22 800.00	190	260			240/710CA	895.000	
540		192.0	5.0	3 450.00	6 200.00	560	1 000	23260CA	23260CAK	195.000	850	1 030	136.0	5.0	3 340.00	10 000.00	260	530			238/850CA	238/850CAK	240.000
320	440	90.0	3.0	1 310.00	2 750.00	940	1 100	23964CA	23964CAK	41.000													
	480	121.0	4.0	2 040.00	4 000.00	910	1 100	23064CA	23064CAK	79.900													
	540	176.0	5.0	3 200.00	5 800.00	650	950	23164CA	23164CAK	170.000													
	540	218.0	5.0	3 800.00	7 350.00	480	600		24164MBK	197.000													